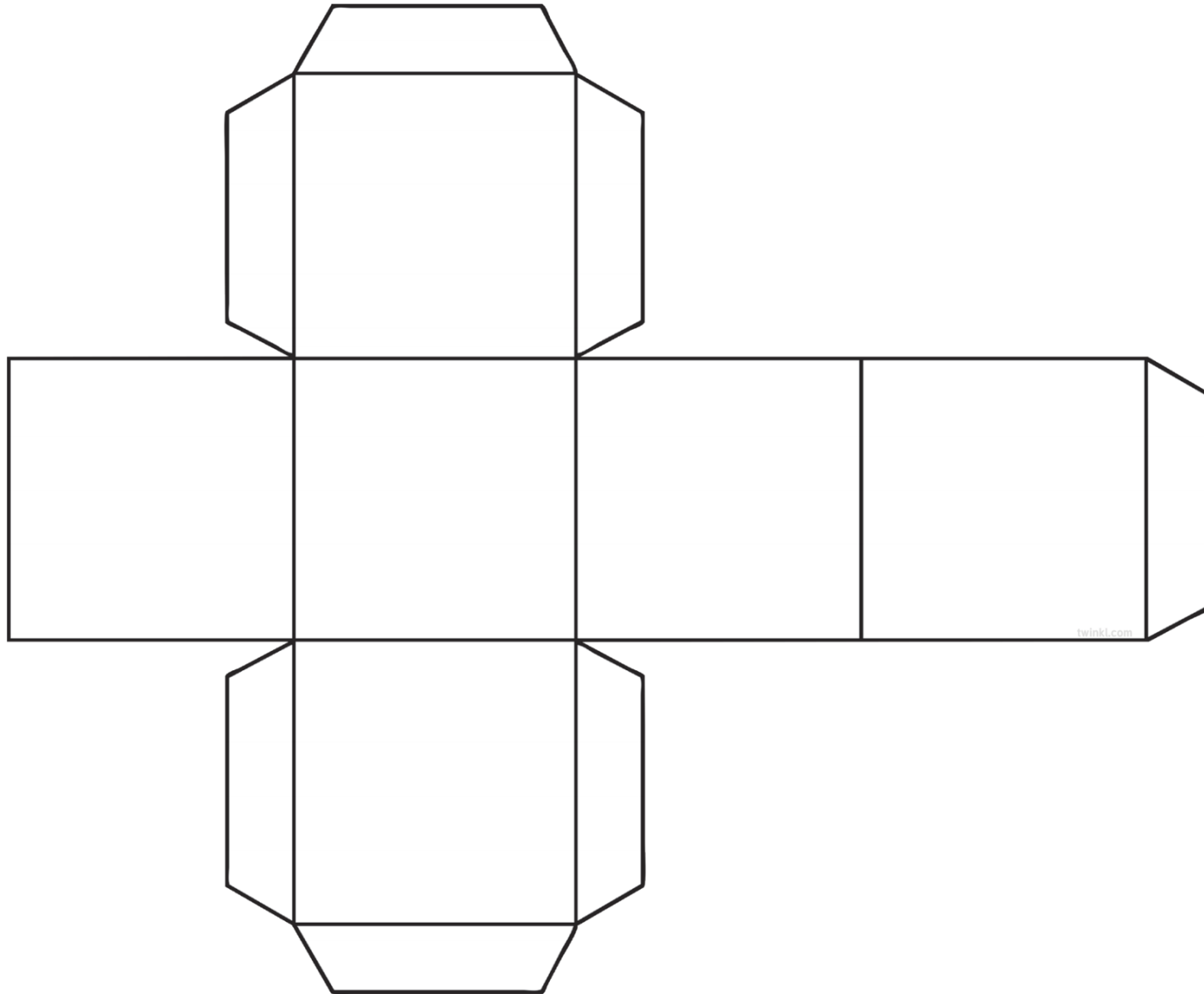
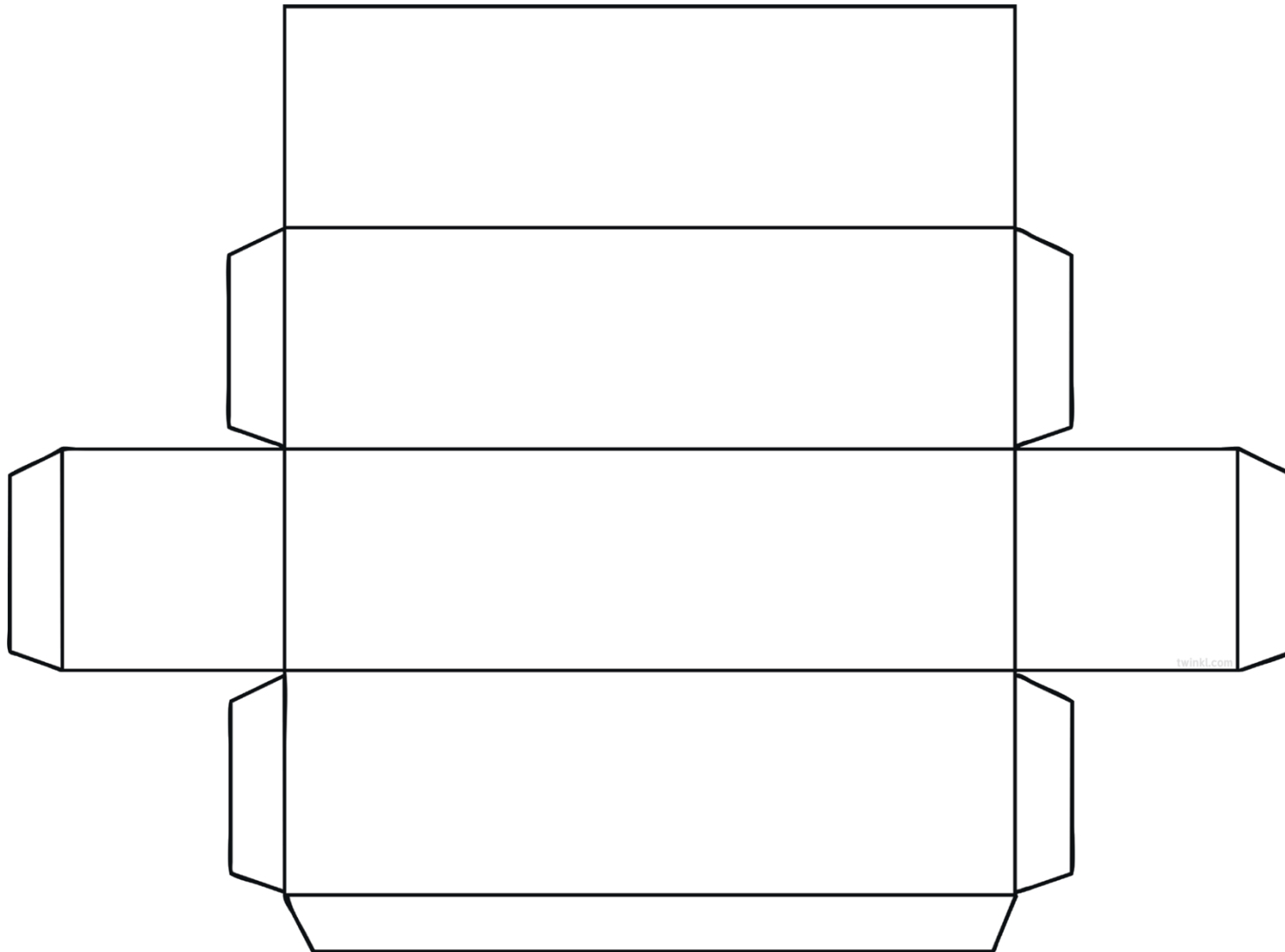


Cube



Rectangular Prism



Square-based Pyramid

