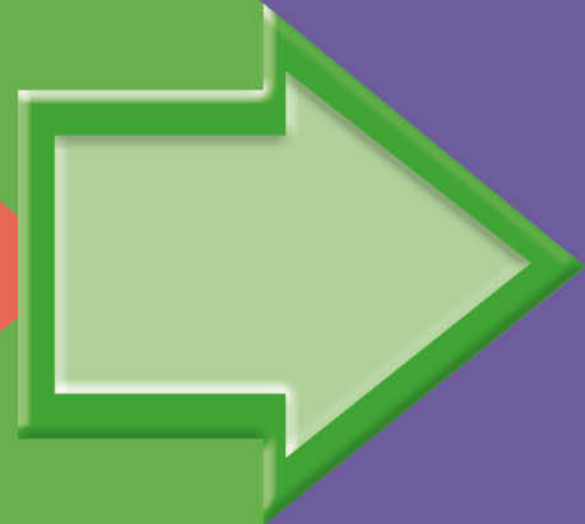


MULTIPLY 2-DIGITS BY 2-DIGITS



GET READY



$$1) 3 \times 8 =$$

$$30 \times 8 =$$

$$2) 6 \times 7 =$$

$$6 \times \square = 420$$

$$3) 22 \times 13 =$$

$$4) 22 \times 14 =$$

×		

$$1) 3 \times 8 = 24$$

$$30 \times 8 = 240$$

$$2) 6 \times 7 = 42$$

$$6 \times \boxed{70} = 420$$

$$3) 22 \times 13 = 286$$

$$4) 22 \times 14 = 308$$

×	20	2
10	200	20
3	60	6

LET'S LEARN



$$23 \times 31$$

×	20	3
30	600	90
1	20	3

	H	T	O
		2	3
×		3	1
			3

$$600 + 90 + 20 + 3 = 713$$

$$23 \times 31$$

×	20	3
30	600	90
1	20	3

H	T	O
	2	3
	3	1
2		3

×

$$600 + 90 + 20 + 7 = 713$$

$$23 \times 31$$

×	20	3
30	600	90
1	20	3

	H	T	O
		2	3
×		3	1
<hr/>			
		2	3
		9	0
<hr/>			

$$600 + 90 + 20 + 7 = 713$$

$$23 \times 31$$

×	20	3
30	600	90
1	20	3

	H	T	O
		2	3
×		3	1
		2	3
	6	9	0

$$600 + 90 + 20 + 7 = 713$$

$$23 \times 31$$

×	20	3
30	600	90
1	20	3

$$600 + 90 + 20 + 3 = 713$$

	H	T	O
		2	3
×		3	1
		2	3
+	6	9	0
	7	1	3
	1		

$$23 \times 31$$

	H	T	O	
		2	3	
×		3	1	
		2	3	(23 × 1)
+	6	9	0	(23 × 30)
	7	1	3	
				1

$$23 \times 31 = (23 \times 1) + (23 \times 30)$$

Have a think



$$41 \times 26$$

	H	T	O
		4	1
×		2	6
	2	4	6
+			

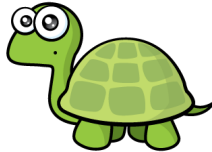
$$(41 \times 6)$$

$$41 \times 26$$

	H	T	O	
		4	1	
×		2	6	
	2	4	6	(41 × 6)
+	8	2	0	(41 × 20)
1	0	6	6	

$$41 \times 26 = 1,066$$

$$32 \times 46 = 320$$



Have a think



	Th	H	T	O
			3	2
×			4	6
		1	9	2
+		1	2	8
		3	2	0
		1	1	

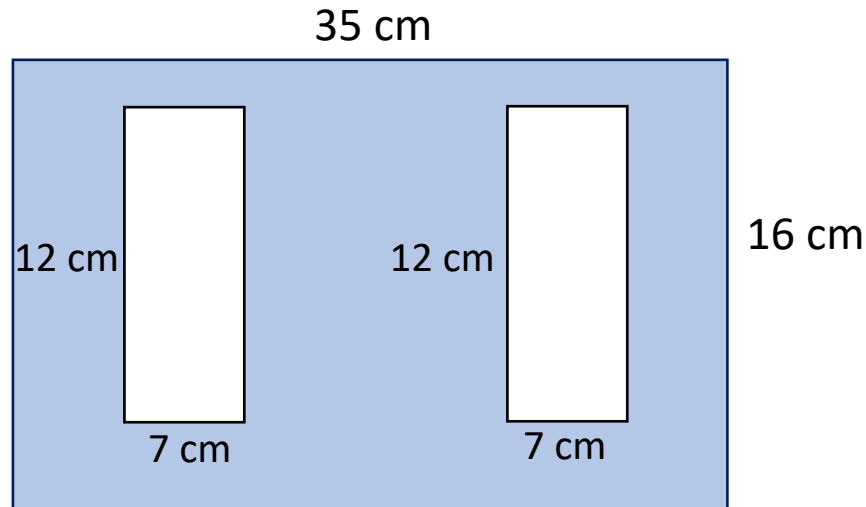
YOUR TURN


Have a go at the questions
1 - 4 on the worksheet





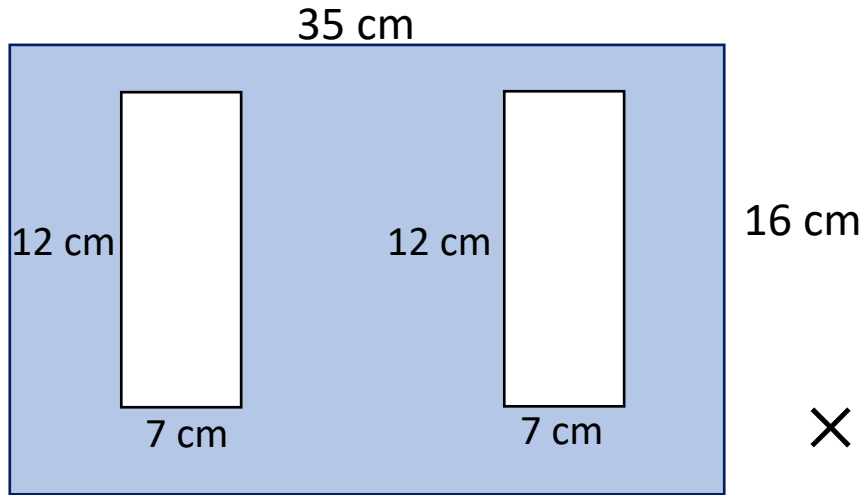
Tommy wants to find the area of the blue part of the rectangle.



Have a think 



Tommy wants to find the area of the blue part of the rectangle.

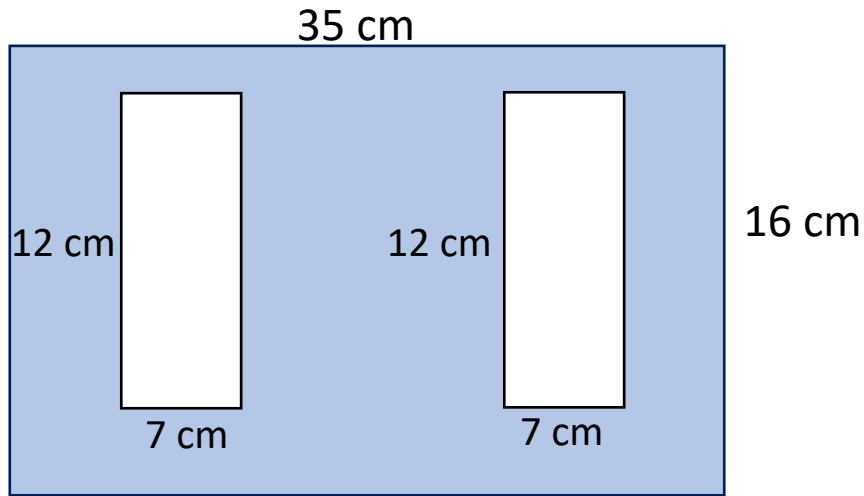


$$35 \times 16$$

	H	T	O	
		3	5	
×		1	6	
	2	1	0	(35 × 6)
	3	5	0	(35 × 10)
+	5	6	0	



Tommy wants to find the area of the blue part of the rectangle.



$$35 \times 16 = 560$$

$$12 \times 7 = 84$$

$$84 \times 2 = 168$$

$$560 - 168 = 392 \text{ cm}^2$$

YOUR TURN

Have a go at the questions
5 and 6 the worksheet

